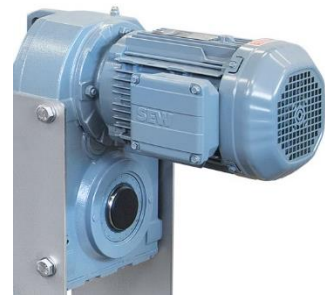
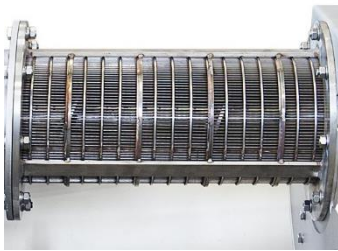


# MIVALT

## Srew separator



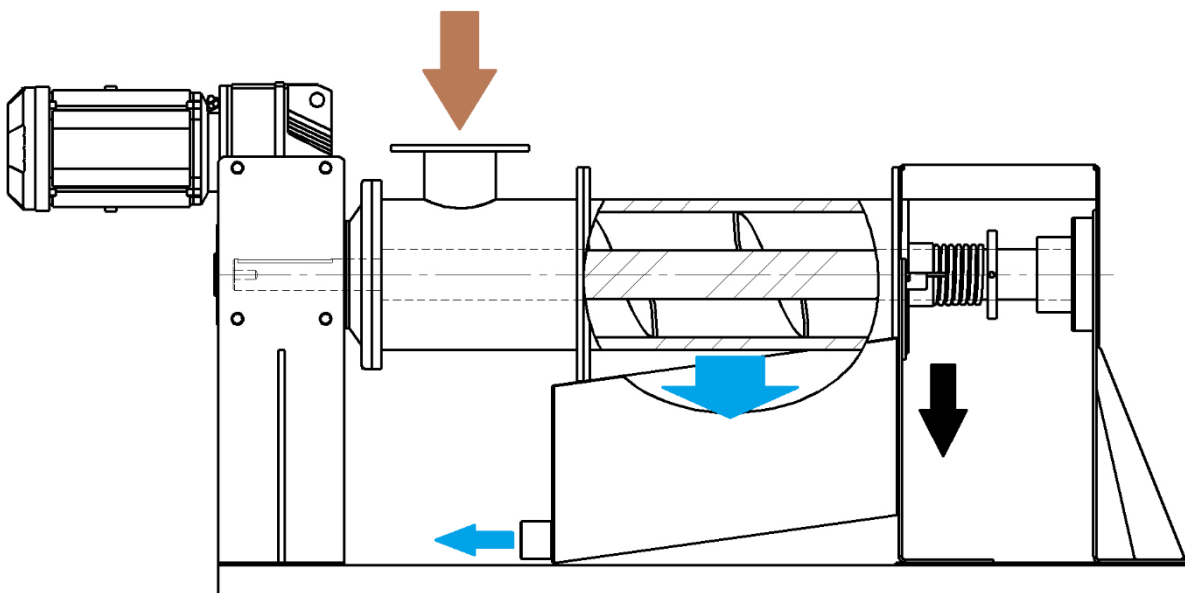
Manufacturer: **MIVALT s.r.o.**

Hlinky 34, Brno 603 00, Czech Republic, IČ: 28262239  
telephone: +420 513 036 228 • mobile: +420 775 660 062  
e-mail: [mivalt@mivalt.eu](mailto:mivalt@mivalt.eu) • [www.mivalt.eu](http://www.mivalt.eu)

## Product description:

The MP-SS Screw separator is designed to separate solids from liquid by means of a rotating screw surrounded by a wedge filter. In this area the incoming solids are dewatered and subsequently pressed. The pressed solids fall down at the end of the screw. The filtrate pass through the wedge filter in a drip tray. Various sizes of wedge filter gaps may be chosen according to the type and consistency of the liquid medium.

The MP-SS Screw separator is completely produced from stainless steel AISI304 and equipped with a SEW front transmission gearbox.



Scheme

## Field of application:

- **Agriculture** – separation of solids from the liquid part of manure produced by pigs, cattle or poultry
  - reduction of volume, unpleasant odour, sanitation of lagoons, composting of solid part
- **Slaughterhouses**
  - separation of manure, straw, sand and stomach content, separation of solids from rinsing water used for washing trucks after transporting animals, tannery wastewater, separation of clotted blood products

- **Pulp & Paper industry**
  - sludge dewatering, separation of waste from rinsing water and its thickening
- **Sludge from paint shops**
- **Recycling of plastics**
  - removal of solids from rinsing water, dewatering of screenings
- **Biogas station**
  - separation of solids from liquid part before and after biological processes
- **Food & Beverage industry**
  - processing of olives, breweries and alcohol production, wastewater produced during fruit&vegetable processing

### Advantages of MP-SS Screw press:

- effective separation
- low energy consumption, minimum operating costs
- easy assembly and operation
- compact design – small built-up area
- optional size of wedge filter gaps
- applicable in a wide scope of industrial applications
- high quality workmanship – produced in Czech Republic

### Parameters:

Model	Capacity [kg DS/h]	Power [kW]	Weight [kg]	Dimension [mm]		
				L	W	H
MP-SS-201	90	2.2	250	1900	570	820